

The PICK & SHOVEL



Volume 3, Issue 1, January 2011

This is the ninth edition of the quarterly regimental newsletter that we hope will serve as a useful tool to keep all of members of the Regimental Family aware of the happenings within 41 CER. The title of this newsletter, "The Pick & Shovel", is based on the name of the recreational centre that was opened by 33 Engineer Squadron's predecessor, 6th Field Park Squadron, immediately following V-E Day. According to Green Route Up! (the history of 4th Canadian Armoured Divisional Engineers), "a combined picture house and dance hall and an adjoining cafe were requisitioned and an annex added to provide extra space for dancing. The cafe was renovated by unit craftsmen and an outdoor beer garden provided. In order to serve hamburgers it was of course necessary to have cattle so SSM Dyson was chosen to provide a herd. His methods of requisitioning are still a matter of some uncertainty, and since at the time of writing he is on the way to Canada, it will suffice to say that he provided about 27 choice German cows. The canteen was then opened and offered hamburgers, cakes, coffee and Belgian beers to the engineers and any other 4th Divers who happened to come." Chimo!

REGIMENTAL APPOINTMENTS

- HM Queen Elizabeth II
Colonel-in-Chief of the CME
- BGen (Ret'd) Richard DesLauriers, OMM, CD
Colonel Commandant of the CME
- HCol John McDougall, O.St.J., CD, P.Eng.
Honorary Colonel
- HLCol Neil McCrank, QC, P.Eng.
Honorary Lieutenant-Colonel
- LCol Eppo van Weelderden, CD, P.Eng.
Commanding Officer
- Maj Mark Hussey, CD, P.Eng.
Deputy Commanding Officer
- Capt Mary Benjamin
Operations Officer

- Capt Karl Kalincak, CD
Adjutant
- Capt John Konu, CD
Padre
- CWO John L'Heureux, CD
Regimental Sergeant Major
- MWO John Dugas, CD
Quartermaster Sergeant Instructor

PROMOTIONS, DECORATIONS & AWARDS (since Oct 2010)

- MCpl Mroch (25 ES) was promoted to Sgt on 11 Nov 10.
- 2Lt Siy (25 ES) was promoted to Lt on 11 Dec 10.
- Sprs Kramer and McAstocker were promoted to Cpl on 11 Dec 10.
- HCol McDougall was awarded the Canadian Forces Decoration and presented with his Honorary Colonel Scroll by BGen Wynnyk (Comd LFWA/JTFW) on 24 Oct 10.



BGen Wynnyk and HCol McDougall

- Capt Lacharite was awarded the Meritorious Service Medal (Military Division) on 2 Nov 10. The citation reads: *CWO Lacharite was deployed to Afghanistan as the Kandahar PRT's RSM from Feb 08 to Feb 09. His guidance enabled military support to civilian agencies and ensured their enhanced understanding of the military's mission, capabilities and culture. A stabilizing influence at Camp Nathan Smith, CWO Lacharite forged an effective civilian-military team that advanced good governance and development in the region.*
- Sgt Bizon (25 ES) was awarded the clasp to his Canadian Forces Decoration on 11 Dec 10.



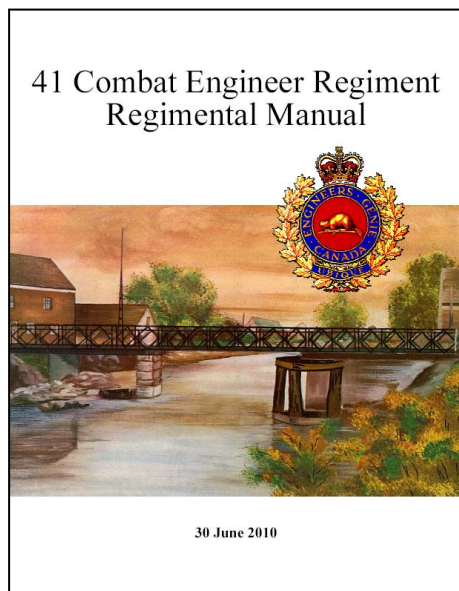
- Sgts Gorecki and Mroch (both 25 ES) were awarded the Canadian Forces Decoration on 11 Dec 10.
- Mr. Neil McCrank, QC, P.Eng. was appointed HLCOL of 41 CER effective 23 Nov 10 and formally welcomed by the Regiment at the Change of HLCOL Ceremony, officiated by the CME Col Cmdt, on 11 Dec 10.



HLCOL Bercuson, BGen DesLauriers and HLCOL McCrank

REGIMENTAL MANUAL

The second edition of the Regimental Manual was distributed digitally through the chain of command in late Jun 10. It includes information on CME & Regimental history, customs and traditions in addition to other useful items.



If you still require a pdf copy, go to <http://www.army.forces.gc.ca/41CER/members.html> or email the Adjt at karl.kalincak@forces.gc.ca.

REGIMENTAL CHANGE OF COMMAND

On 16 April 2011, command of the Regiment will be relinquished by LCol van Weelderen and assumed by Maj Hussey at a parade at Debney Armoury in Edmonton.

The parade will be preceded by the Regimental Indoctrination Course for all NEW members of the Regiment. The Course will culminate in the issuing of Regimental Coins to new unit members.

Following the parade there will be a reception in the Junior Rank's Mess and an all-ranks Mess Dinner in the Combined Officers/Warrant Officers/Sergeants Mess.

EX WESTERN DEFENDER 2011

Our 2010-11 training year will culminate in an Area-wide Reserve training event called Ex WESTERN DEFENDER (Ex WD). Ex WD will be held at CFB SHILO from 29 Apr 11 to 9 May 11 and 41 CER has been designated as the lead-unit for engineer planning.

Sappers from 39 CER, 41 CER, 31 ES (Winnipeg) and 46 ES (Saskatoon) will form a composite Engr Sqn which will consist of an SHQ and Engr Tp. Based on the turnout at Ex WD 09, we expect the Engr Tp to consist of four Engr Sects and two Eqpt Sects (each with two Eqpt Dets).

This exercise will consist of a dismounted infantry battalion advance to contact through CFB SHILO with the wheeled Engr Sqn in support. As this is the culmination of our training year, the training focus will be on "Engr Troop"-level BTS, specifically:

- Execute CMD Operations
- Execute an Obstacle Breach
- Assist Attack on Fortified Position

Our sappers will be working closely with our combat arms brethren so this exercise should provide an excellent opportunity to hone our skills in the contemporary operating environment.

More information will be forthcoming through the Chain of Command so for now please save the dates of 29 Apr 11 to 9 May 11 to attend this exercise.



REGULAR SUPPORT STAFF

Our current Regular Support Staff (RSS) cadre consists of 2 x MILE Capts (1 per ES), 2 x Cbt Engr WOs (1 per ES), 1 x Sp Tech MCpl (RQMS), 1 x Cbt Engr MCpl (Regt Tpt NCO) and 1 x RMS Sgt (CC).

In the summer of 2012, our RSS cadre will be reduced by one MILE Capt and the Sp Tech Sgt. This will have a significant impact on our ability to administer our personnel, provide support on domestic operations to CANCOM and execute Regimental-level training. As a result, RHQ is actively working with the CME Branch and 41 CBG HQ to ensure that both RegF positions are replaced with CI B positions.

17 ENGINEER SQUADRON

At the Army Engineer Conference on 17 Oct 10 it was announced that, because of our success in growth and depth of leadership, 41 CER has been identified as one of three Reserve units to receive an additional Engineer Squadron.

At the time of amalgamation between 8 FER and 33 FES in 2008, 17 ES was protected for future growth in 41 CER. 17 Field Squadron was based in Kimberly, BC and had been a sub-unit of 8 FER in the 1960s along with 13 Fd Sqn (Calgary), 24 Fd Sqn (Yellowknife), 25 Fd Sqn (Edmonton) and 33 Fd Sqn (Lethbridge).

Our current establishment has 243 positions distributed between RHQ, 25 ES, 33 ES and Admin Sqn. 17 ES, with its 102 positions would take our established strength up to 345 all ranks.

The timing and location for 17 ES is still unknown and is dependent on a number of factors including infrastructure. It may be co-located with 25 ES or 33 ES or stood up in a different municipality altogether.

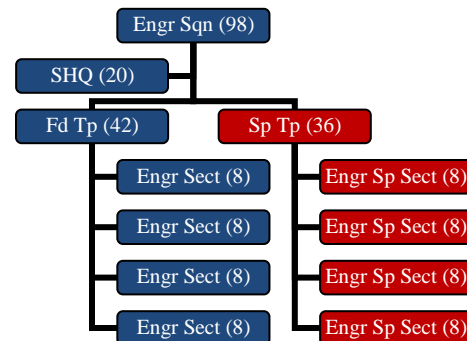
38 CER

At the Army Engineer Conference it was also announced that 38 CER will be stood up in mid-2011 and will consist of an RHQ, 31 ES and 46 ES. RHQ will be based in Saskatoon along with 46 ES. 31 ES will continue to operate out of Winnipeg.

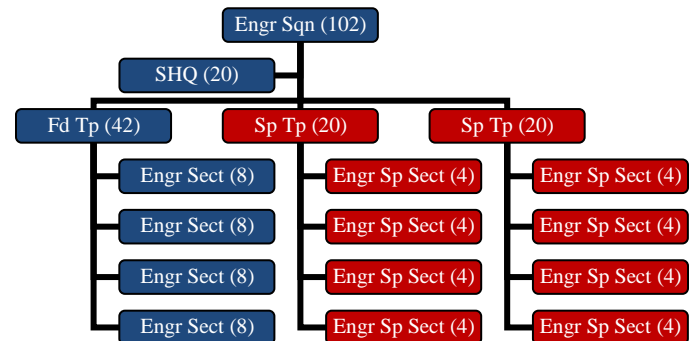
There is a large delta between the signing of the Ministerial Organization Order (MOO) and achieving the Initial Operating Capability (IOC) threshold, the latter of which represents an independently operating unit and not expected for a few years (i.e., post-2012). Nevertheless, great news and rapid progress for the sappers to our eastern flank.

ENGINEER SQUADRON ORGANIZATION

At the Army Engineer Conference on 17 Oct 10 it was also announced that the structure for the Reserve Engineer Squadrons is being amended from an established two-troop, 98-man, sub-unit:



to a three-troop, 102-man, sub-unit:



The purpose of this establishment change is to provide the Reserve Regiments with an ability to more easily command and control the engineer support capabilities that are being assigned (i.e., two 20-man Sp Tps vice one 36-man Sp Tp). For 41 CER, the assigned support capabilities are Geomatics, Heavy Equipment, Bridging (MGB) and Water Purification.

41 TACTICAL SIGNALS GROUP

In Fall 2010, Alberta's Reserve signalers were formally grouped under 41 CBG in a new unit called 41 Tactical Signals Group (41 TSG). 41 TSG is a reserve military unit based in three cities across Alberta; with the Group HQ and 745 Comm Sqn at Debney Armoury in Edmonton, 746 Comm Sqn at HMCS Tecumseh in Calgary and 749 Comm Sqn at Cormack Armoury in Red Deer.

41 TSG comprises mainly signal operators and line technicians, as well as a normal squadron complement of support trades. As with all reserve units, the primary role of 41 TSG is to augment the Regular Force for both domestic and international operations, including those with the UN and NATO.



CLUBS & ASSOCIATIONS

The "Sappers Club" originated in Edmonton in October 1945 as a club consisting of interested and industrious veterans of 9 Army Tps Coy and later to include all engineers both serving and retired. Objectives of the club include the perpetuation of the memory of the RCE and the CME, the demonstration of concern for the well being of all sappers, their comrades and their families, a sharing of memories and manifestation of the pride of being an engineer. Wives of members are kept on as lifetime members without further payment of dues should they be pre-deceased by their husbands. Today the Sappers Club has approximately 200 full and honorary members.

The Edmonton and Calgary members have a monthly luncheon in their respective cities. The Edmonton group meets for lunch at the Norwood Legion Branch #178 located at 11150-82 Street the last Wednesday of every month except for December. The Calgary Branch holds monthly luncheon meetings on the fourth Friday at the Kensington Legion #264 at 1910 Kensington Road NW.

Membership fees are only eight dollars annually and all engineers are invited to join. The club also has civilians and other military classifications as members who have served in an engineer unit.

For more information contact the President, Dennis Dwyer - dldwyer@shaw.ca.

CALGARY GARRISON GALA 2011

The Calgary Garrison Gala dinner will be one of the highlights of Calgary's Remembrance Week activities and is scheduled for Saturday, 5 Nov 11. The Gala recognizes the contributions by Calgary's seven militia units; 41 CBG HQ, KOCCR, 41 CER, 41 TSG, Calg Highrs, 41 Svc Bn and 15 Fd Amb.

The Gala is a major fundraising event for The Military Museums (TMM) and one of the Calgary units, this year 41 CER. Funds raised during the Gala will be used by TMM to continue delivering award-winning programs to educate the public, particularly youth, about Canada's proud military history and by 41 CER to construct a museum exhibit at TMM as well as Debney & Northeast Armouries in 2012 to recognize 100 years of militia engineers in Alberta.

ARRIVALS & DEPARTURES (since Oct 2010)

- Ptes Atkins, Cardinal and Ni (all 25 ES) were enrolled 2 Oct 10.
- Pte Halfe-Ermines (25 ES) was enrolled on 15 Oct 10.
- Pte Ward (33 ES) released on 28 Oct 10.
- Dr. D. Bercuson's appointment as HLCol 41 CER lapsed on 22 Nov 10.
- Mr. N. McCrank was appointed HLCol of 41 CER on 23 Nov 10.
- Maj D. McCrank (RHQ) transferred to the SRR on 1 Jan 11.

REGIMENTAL KITSHOP

Hello to all ranks and personnel in 41 CER,

The CO has recently given me authorization to take charge of setting up an informal Regimental Kitshop that will have no formal Non-Public Fund connections (and the associated administrative oversight).

I have been responsible for 25 ES mugs, hoodies, etc. for the past few years and now I have been granted the opportunity to extend my services to 33 ES as well. I will soon be seeking an active individual within 33 ES to aid me in the challenge of inter-squadron correlation of ideas and kit distribution.

As I am currently in full time studies I appreciate everyone's patience as this new Regimental Kitshop takes form. I am looking forward to hearing everyone's ideas so that we may continue representing 41 CER with pride through kick-ass gear!

CHIMO

Sgt G. Gorecki
Kitshop NCO
41 CER

sappygg@hotmail.com



90-DAY CALENDAR

- 21-23 Jan 2011 – Ex SAPPER STAMPEDE 3 – the route clearing / CIED “**jog**” exercise at CFB Penhold (25 ES led).
- 25-27 Feb 2011 – Ex SAPPER STAMPEDE 4 – the route clearing / CIED “**run**” exercise at CFB Penhold (33 ES led). The 41 CER OPPLAN 2010-11 writing board will be concurrently held in the conference facilities at CFB Penhold.
- Dates in Mar 2011 to be confirmed – Ex SAPPER THUNDER – a demolition camp (33 ES led). This exercise replaces our Regimental construction project for 2011.
- 18-20 Mar 2011 – Ex VIRTUAL DEFENDER 2 – the second PDX in preparation for Ex WD at the LTF at CFB Shilo.



MEMBERS ON OPERATIONS WITH CEFCOM OR CANCOM

No members of Regiment are currently deployed on an operation with either CEFCOM or CANCOM. Sgt Daerendinger (25 ES) and MCpl Chudleigh (33 ES) are currently on pre-deployment training for the MTTF.

EDITOR

Capt K. Kalincak
Adjt
41 CER

karl.kalincak@forces.gc.ca



41 Combat Engineer Regiment
11 Dec 10

